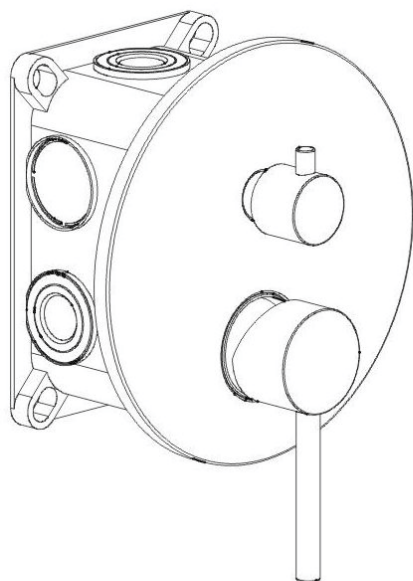
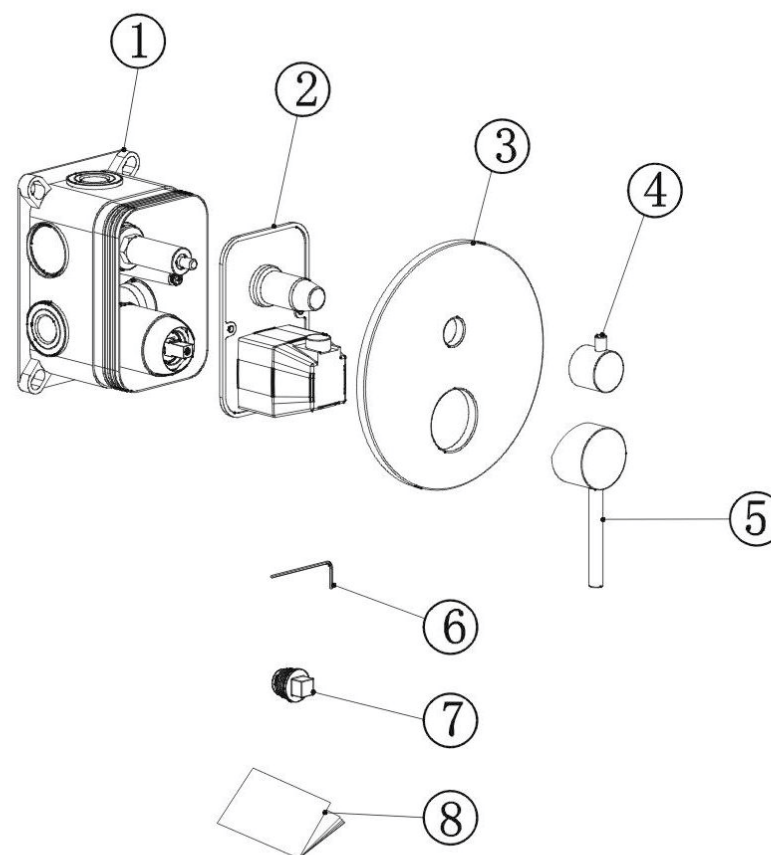


INSTALLATION MANUAL



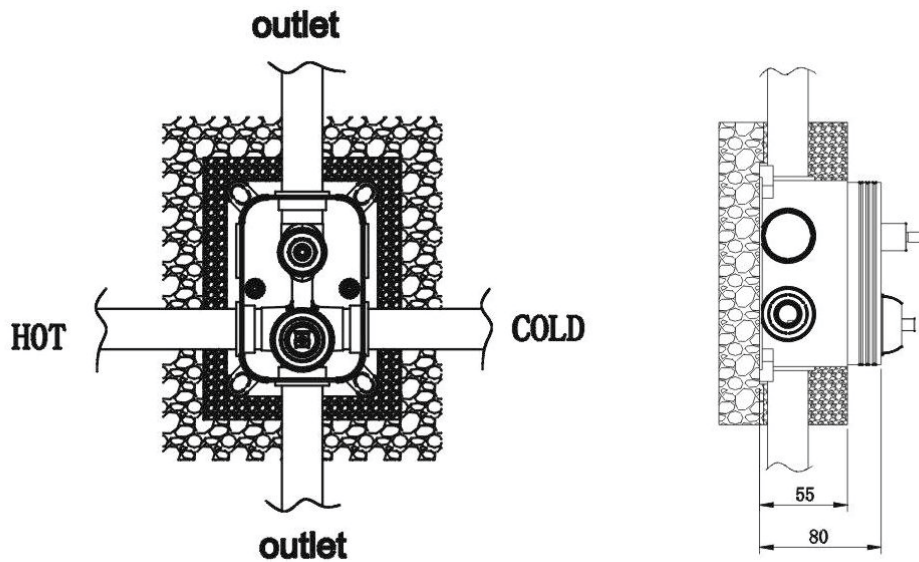
dual-functional control valve standard parts list

No.	Name	quantity
1	dual-functional control valve	1
2	Protection cover+ Sealing rubber sheet	1
3	Decorative panel	1
4	Water diversion handl	1
5	Handle	1
6	S=2.5 Allen key	1
7	Plastic plugs(1/2)	2
8	Instructions	1



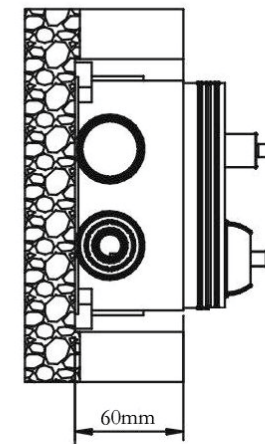
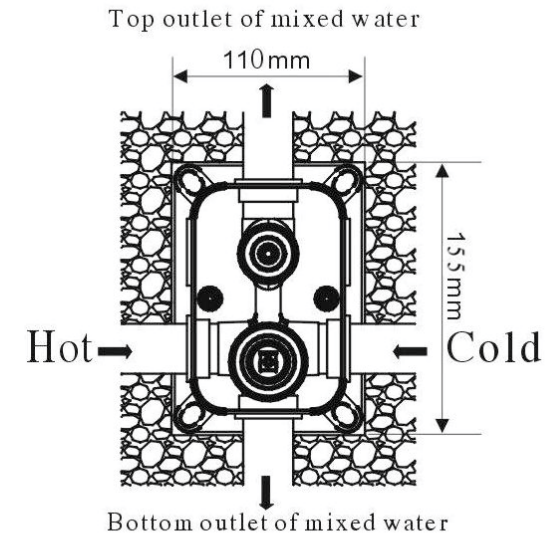
Sealing wall procedure

1. Measure the flatness of the embedded box and vertical wall with parallel ruler. If the wall is not flat, you can fix it to make sure the angle between the vertical wall is mostly close to the ideal angle of 90 degrees in order to pave tiles.
2. Remove the part of the embedded box which is above the tile wall



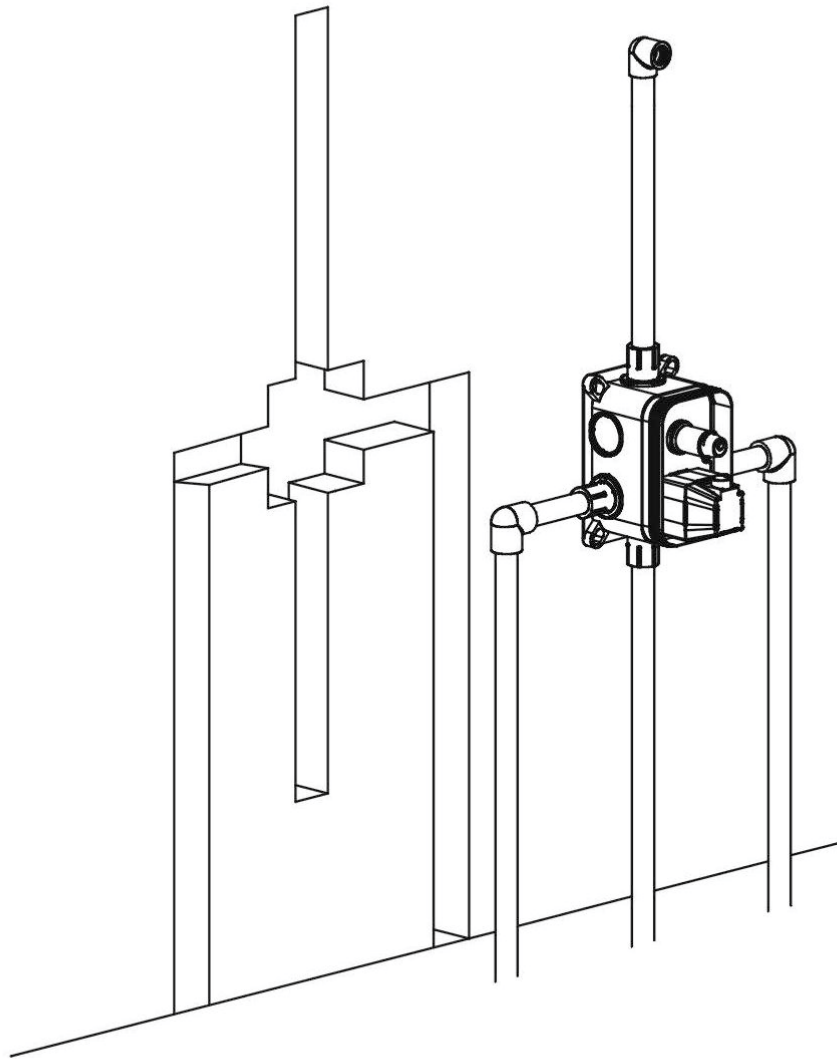
The Size(When you break the wall to install the dual-function control valve)

The opening size of the blank wall should be 155*110*(60-65mm deep),



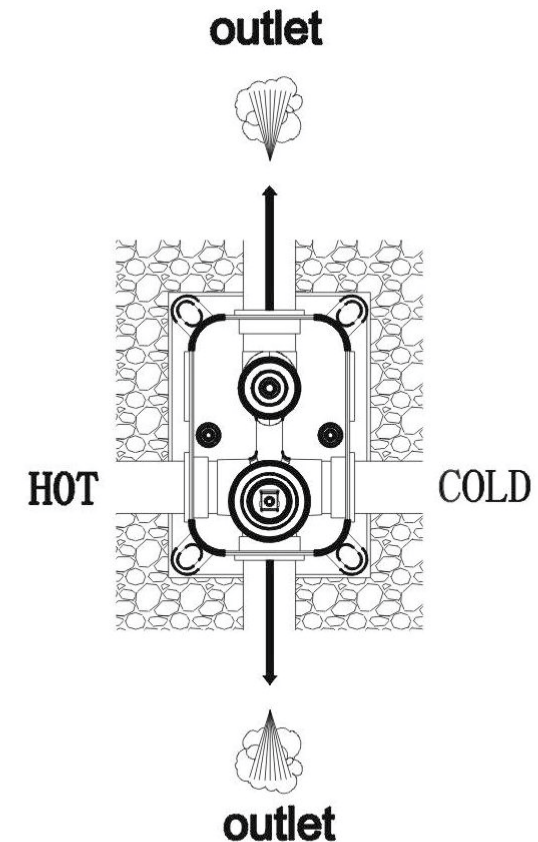
dual-functional pipe connection

- 1、According to the product's basic Dimensional Drawings, you should create enough space for the outlet of the embedded, water pipes, shower arm and the lower spout connector.
- 2、Connect the water pipes(cold and hot), the upper of the shower arm and the lower spout(hang shower) to the embedded box separately and fix them with a wrench.



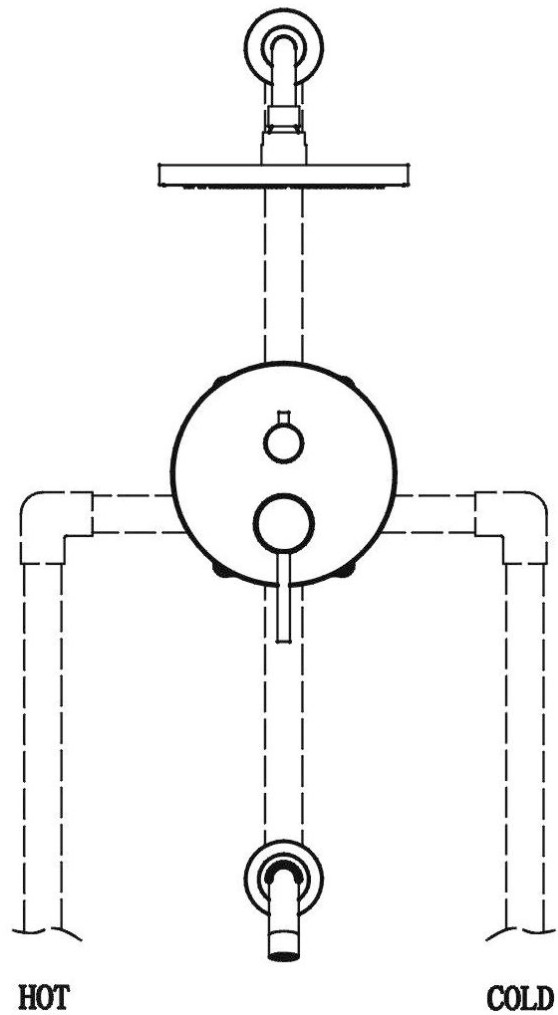
Test test of water and tightness

- 1、Purpose: Flush the impurities and silt in the pipe in case of the blocking
- 2、Open the protective plastic sheet and protective cover. Turn on the tap and Open up the supply valve rod to flush the pipe. Close the spool and test the pressure resistance and tightness to make sure there is no leakage.
- 3、Blocked all outlets of pipes with plastic plugs(1/2) and turn on the tap. Check whether the connection port of the upper of the outlet pipe are tight and the status of pipeline pressure. Make sure there is no leakage.
- 4、After the test of tightness, revert the protective plastic sheet and protective cover.



The Embedded Program

Connect the embedded box to the hot and cold water pipes must pay special attention:cold water to the left,hot water to the right.



The installation of the dual-function control valve.

- 1, Remove the protective plastic sheet and protective cover
- 2, According to the following chart,connect the decoration panel and handle to the control valve.After this,it's complete.

