

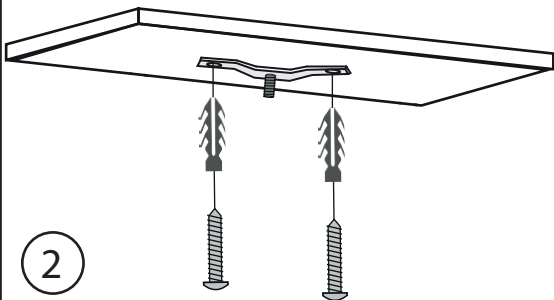
APP1816-5CPR



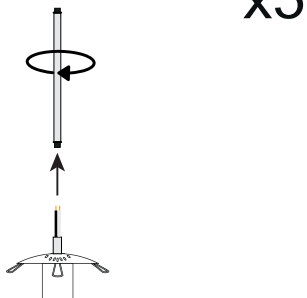
⌀ x2 ⌀ x2 — x5 — x5 ● x1



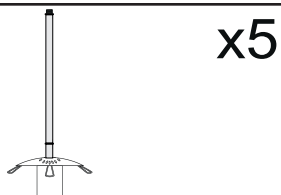
1



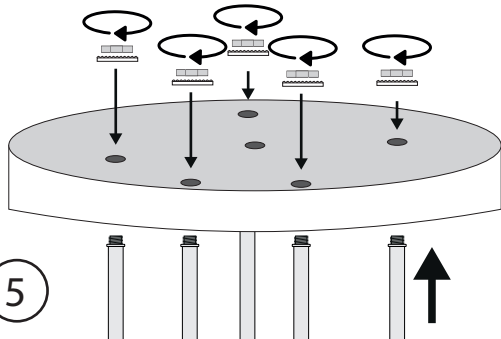
2



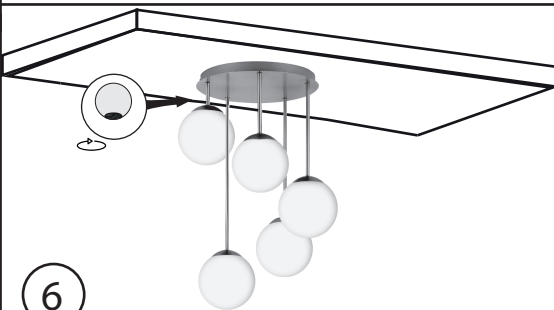
3



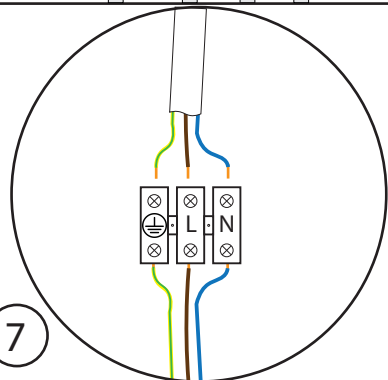
4



5



6



7

