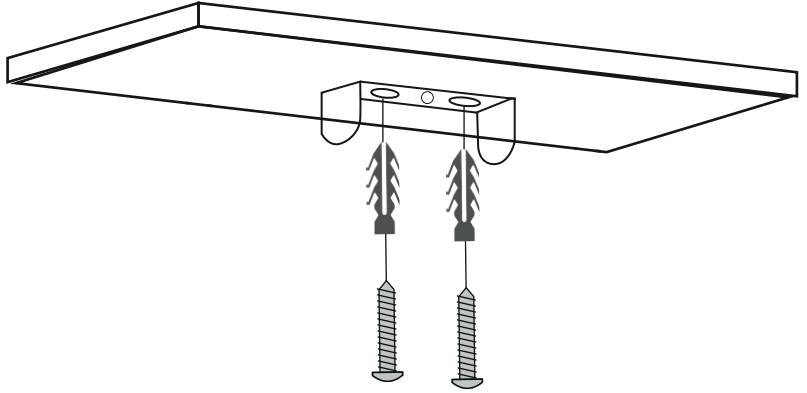
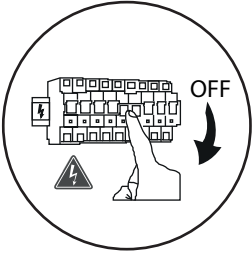
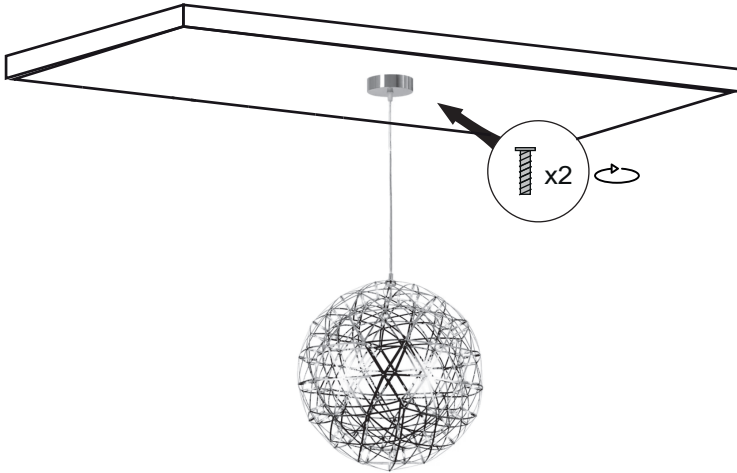


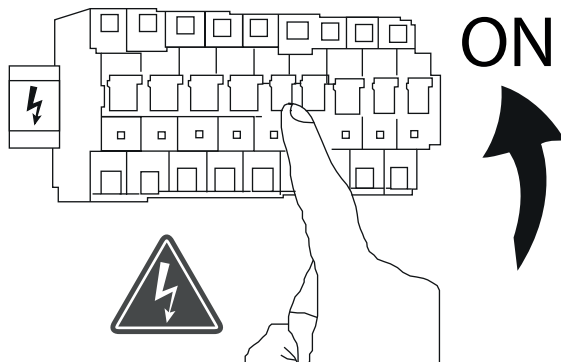
APP1505-CP



1



2



3