

APP1674-1CP



x4



x2



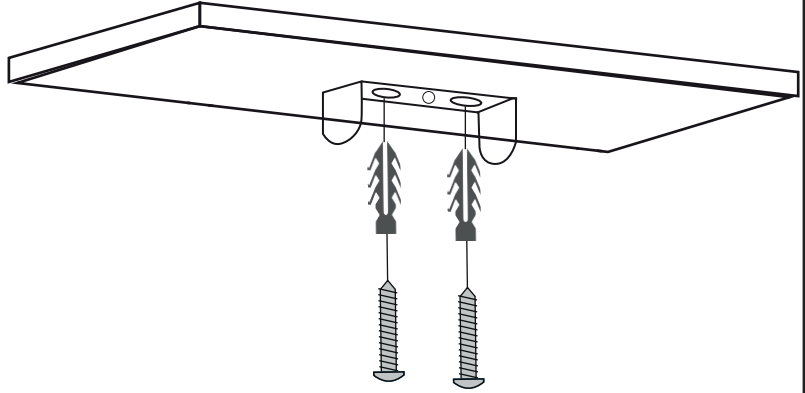
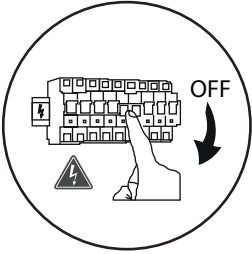
x2



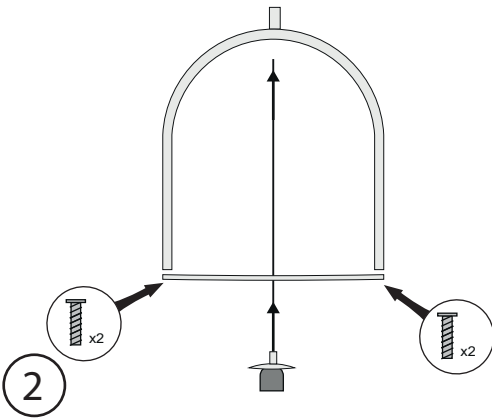
x1



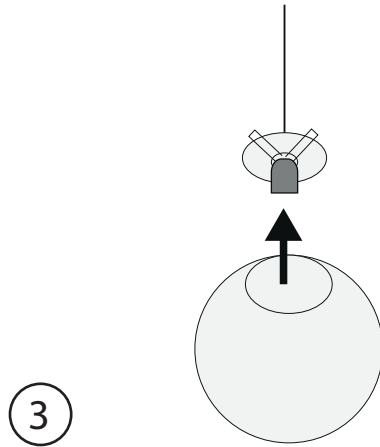
x1



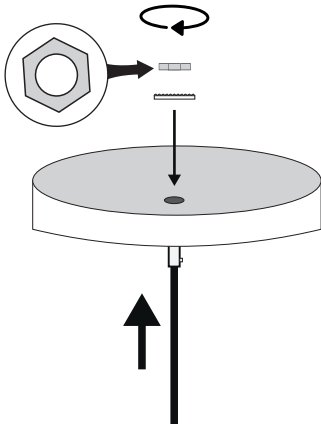
1



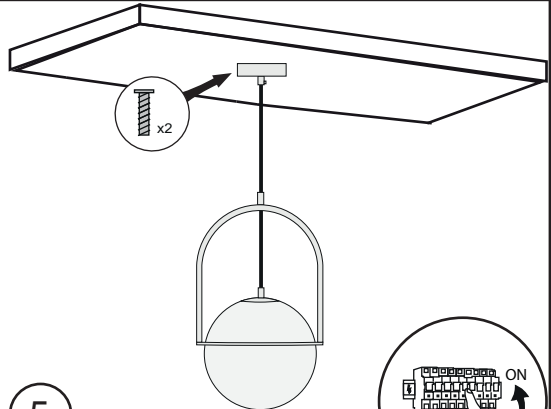
2



3



4



5

